

ISOMETRIC VIEW



CST 3450 SC

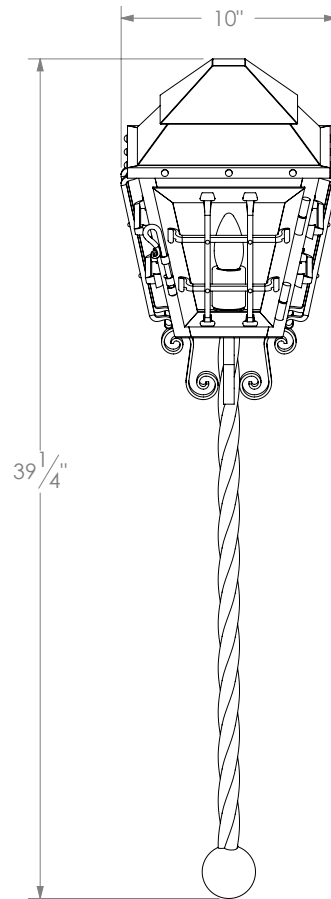
A

Exterior Sconce Based On Picture

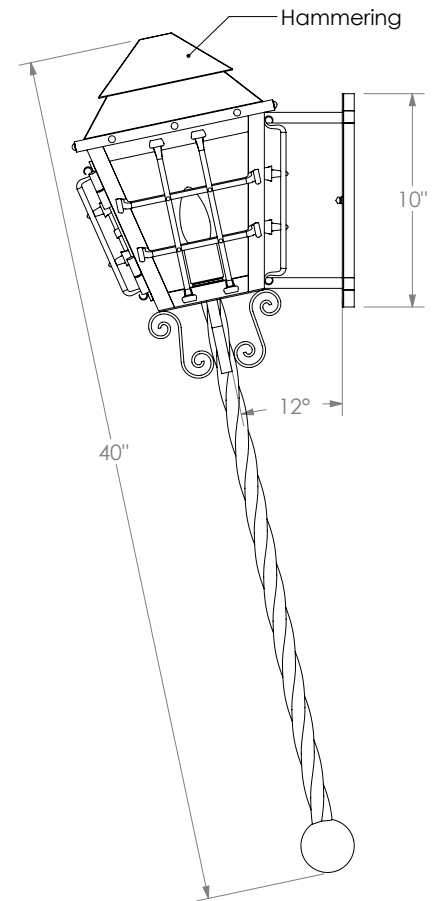
WEIGHT:	15 lbs
CANOPY:	Custom
CHAIN:	N/A
SHADE:	N/A
LENS:	Seeded Glass
NO. LIGHTS:	1
BASE:	Medium (Simple Porcelain)
FINISH:	Natural Black
ENGINEERED:	EER

31/03/2020

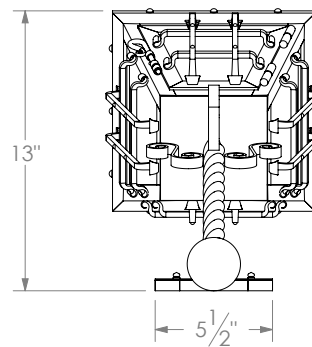
FRONT VIEW



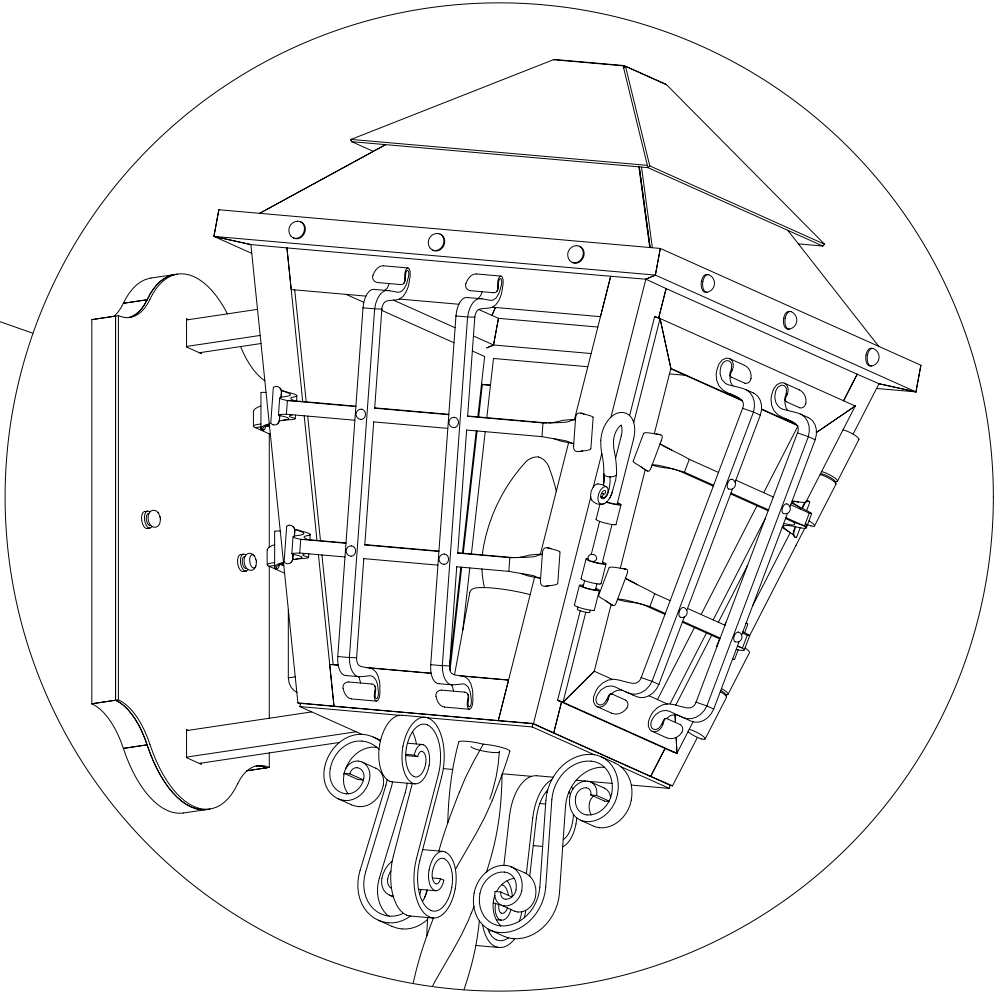
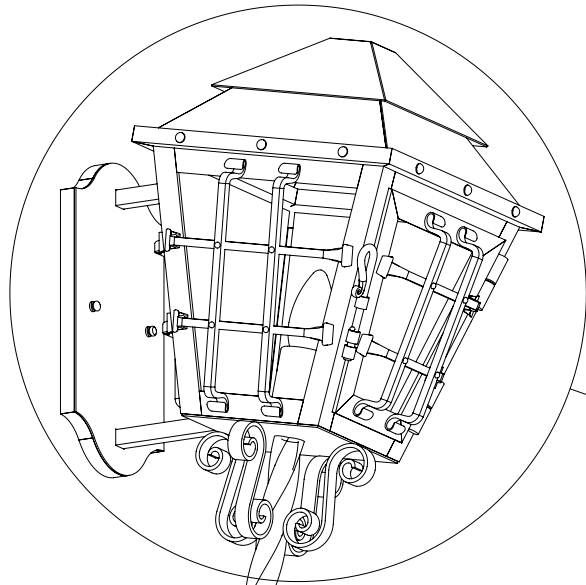
SIDE VIEW



BOTTOM VIEW



ISOMETRIC VIEW



CST 3450 SC A